



wellgo
www.wellgopedal.com

2015

2015

TABLE OF CONTENTS



MTB



ROAD



CITY



TREKKING



BMX



EXERCISER



FOLDING



2DU



Juvenile



Indicator



Grease hole design for easy maintenance.



Magnesium & Aluminum Body



Quick Release Device



Multi function

Replaceable Pin



A-Pin



U-Pin



R-Pin



V-Pin



C-Pin



T-Pin

07

NEW

13

MTB

19

ROAD

24

CITY/TREKKING

30

PLATFORM

37
39

EXERCISER
FOLDING

40

ACCESSORIES

44

STILL AVAILABLE

■ USED TO

THIN & LIGHT ■



LU-884

33mm



C098

23.7mm



LU-954

30.3mm



M-21

24mm



LU-A8

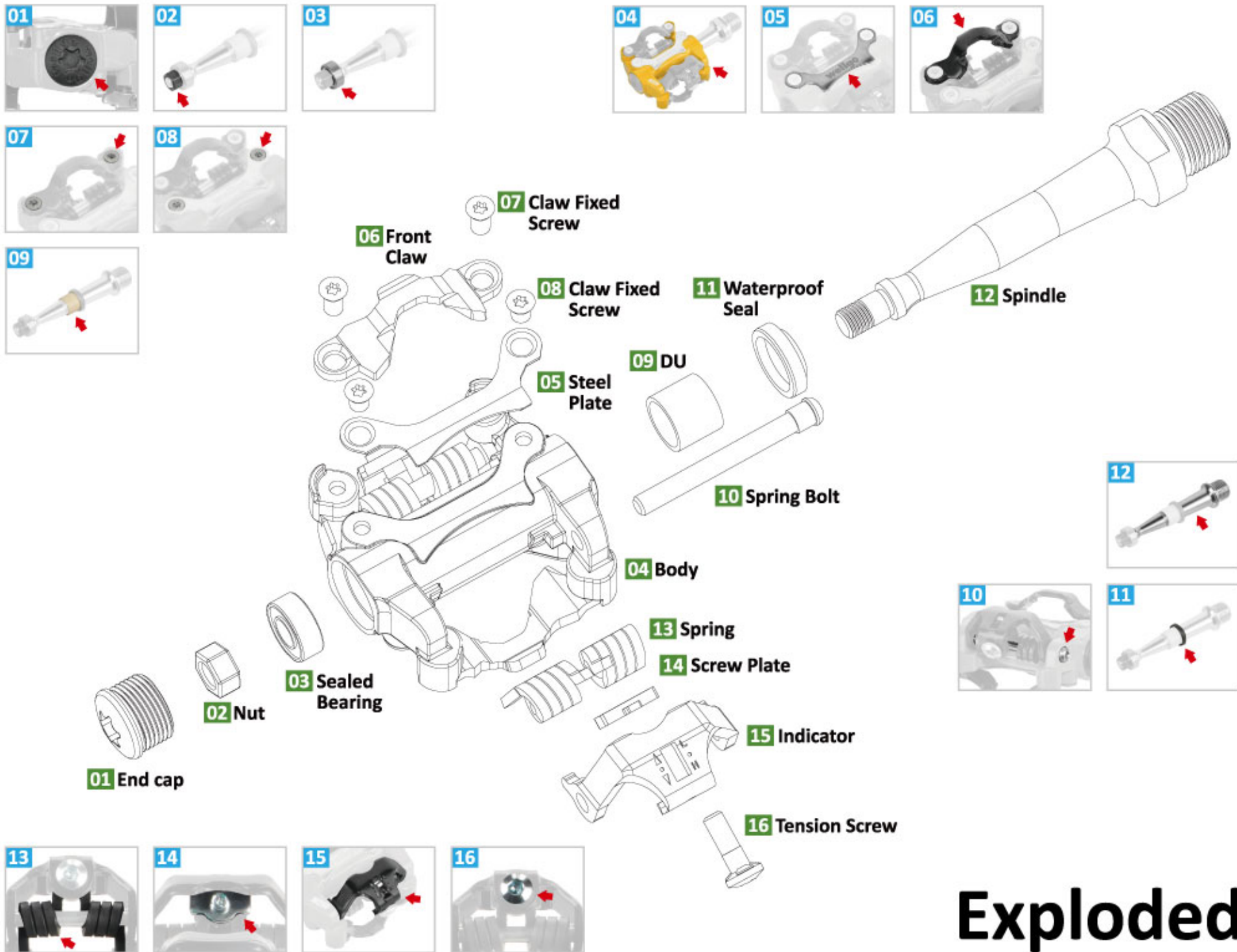
34.4mm



B181

18mm





Exploded



2009 TBEA Creative Bicycles, Parts and Accessories Competition Award.

WELLGO QRD is available for many of our new and existing pedals in every category.

No tools are required and pedals can be removed with a flick of a finger.

The QRD design offers portability and additional security for bicycles when they are parked.

The ability to quickly remove the pedals without any tools save time when storing your bike in limited spaces (e.g. car, closet, box).



Quick Release Device

M250



BODY : Aluminum / ED black or painted
SPINDLE : Cr-Mo
BEARING: DU / Sealed
CLEAT : 98A or Shimano 51 compatible
SIZE : 80 * 61 * 33.5 mm
ORIGIN : Taiwan



FEATURES:

- ① The stainless plate could prevent the scratch from movement.
- ② Stronger spring tension construction offers better connection between pedal and shoes which could also increasing the riding efficient.
- ③ The tension indicator with anti-loose design.



C234



BODY : Aluminum 6061 extruded / Anodized
 Magnesium extruded / Painted
SPINDLE : Cr-Mo
BEARING: DU / Sealed
SIZE : 96 * 78 * 20.5 mm
OPTION : C234V C234C
ORIGIN : Taiwan



C271



BODY : Aluminum 6061 extruded
 CNC machined / Anodized
SPINDLE : Cr-Mo
BEARING: DU / Sealed
SIZE : 95.5 * 78 * 24.5 mm
OPTION : C271V C271C
ORIGIN : Taiwan



2DU



PATENT DESIGN
2DU System

★ **High Quality**

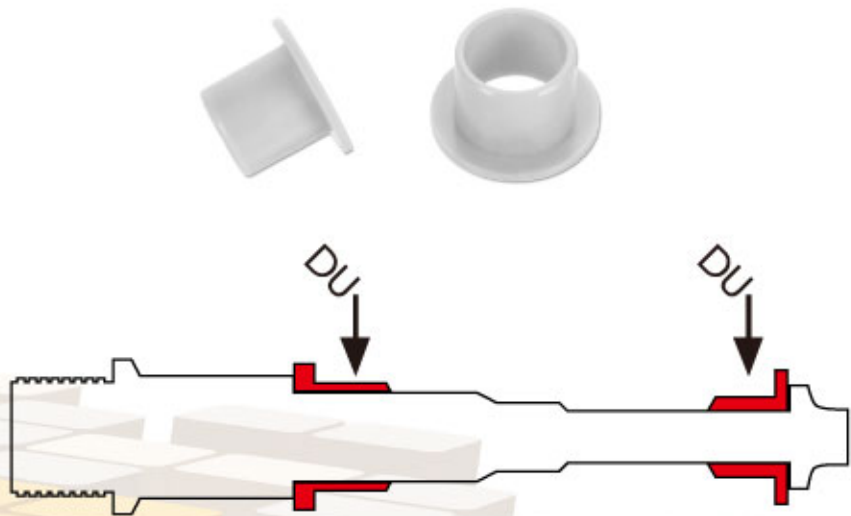
Feels like sealed bearing

★ **High Durability**

Longer life than ball bearing

★ **Reasonable Price**

Good value with good price



Patent design for 2 DU bushing unique construction

M248DU



BODY : Aluminum / Barrel silver
CAGE : Aluminum or Steel / ED black
SPINDLE : Boron
BEARING : 2DU
SIZE : 99.7 * 63.2 * 23.5 mm
ORIGIN : Taiwan & China



C280DU



BODY : Aluminum / Barrel silver
SPINDLE : Boron
BEARING : 2DU
SIZE : 104.9 * 77.6 * 24 mm
ORIGIN : Taiwan & China



R262DU



BODY : Plastic black
CAGE : Aluminum or Steel / ED black
SPINDLE : Boron
BEARING : 2DU
SIZE : 100.1 * 63.2 * 22 mm
ORIGIN : Taiwan & China



R261DU



BODY : Plastic black
CAGE : Aluminum or Steel / ED black
SPINDLE : Boron
BEARING : 2DU
SIZE : 104.2 * 63.2 * 23.8 mm
ORIGIN : Taiwan & China



M270DU



BODY : Plastic black
CAGE : Aluminum or Steel / ED black
SPINDLE : Boron
BEARING : 2DU
SIZE : 100 * 63.2 * 24 mm
ORIGIN : Taiwan



MG3



BODY : Magnesium / Painted
SPINDLE : Boron
BEARING : 2DU
SIZE : 111.5 * 102 * 27.6 mm
OPTION : Aluminum version as B249DU
with mold pin (TWN & CHINA)
ORIGIN : Taiwan



M195DU



BODY : Aluminum / Barrel silver
SPINDLE : Boron
BEARING : 2DU
SIZE : 100 * 100 * 26.2 mm
OPTION : Ball bearing version as
M195 with mold pin
Sealed bearing version as M195B
ORIGIN : Taiwan & China

**B249DU**

C237



BODY : Aluminum Forged
CNC machined / Anodized

SPINDLE : Cr-Mo

BEARING : DU / Sealed

SIZE : 98.6 * 74 20.8 mm

OPTION : C237V C237C

ORIGIN : Taiwan



C260



BODY : Aluminum 6061 extruded
CNC machined / Anodized

SPINDLE : Cr-Mo or Ti

BEARING : DU / Sealed

SIZE : 100 * 82 * 24 mm

OPTION : C260V C260C

ORIGIN : Taiwan



C266



BODY : Aluminum 6061 extruded
CNC machined / Anodized

SPINDLE : Cr-Mo

BEARING : DU / Sealed

SIZE : 90 * 78 * 25 mm

OPTION : C266V C266C

ORIGIN : Taiwan



C210



BODY : Aluminum / Barrel silver

SPINDLE : Cr-Mo

BEARING : Ball bearing

SIZE : 102 * 75 * 25 mm

OPTION : Sealed bearing version as C210B

ORIGIN : Taiwan & China



C254DU



BODY : Aluminum with Sand Paper

SPINDLE : Boron

BEARING : 2DU

SIZE : 106 * 75 * 27 mm

OPTION : Sealed bearing version as C254B

ORIGIN : Taiwan



C227DU



BODY : Aluminum / ED black or painted

SPINDLE : Boron

BEARING : 2DU

SIZE : 99 * 84 * 26.5 mm

OPTION : Sealed bearing version as C227B

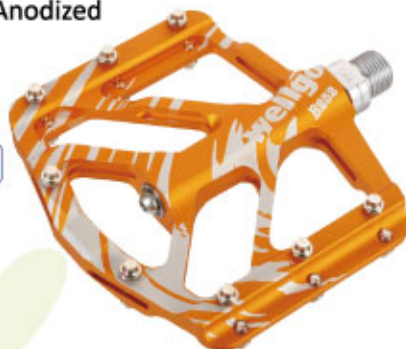
ORIGIN : Taiwan



B252-AL



BODY : Aluminum 6061 extruded / Anodized
SPINDLE : Cr-Mo
BEARING : DU / Sealed
SIZE : 108 * 106 * 17.5 mm
OPTION : B252V-AL B252C-AL
ORIGIN : Taiwan



B252-MG



BODY : Magnesium extruded / Painted
SPINDLE : Cr-Mo or Ti
BEARING : DU / Sealed
SIZE : 108 * 106 * 17.5 mm
OPTION : B252V-MG B252C-MG
ORIGIN : Taiwan



MG35YR



BODY : Magnesium / Painted
SPINDLE : Cr-Mo
BEARING : DU / Sealed
SIZE : 112 * 106 * 20.8 mm
OPTION : MG35YV MG35YC
 MG35YA
ORIGIN : Taiwan



MG6-AL



BODY : Aluminum / ED black or painted
SPINDLE : Cr-Mo
BEARING : DU / Sealed
SIZE : 112 * 106 * 20.8 mm
OPTION : MG6V-AL MG6C-AL
 MG6A-AL
ORIGIN : Taiwan



M228



BODY : Aluminum / Barrel silver
CAGE : Aluminum / ED black
SPINDLE : Boron
BEARING : Ball bearing
SIZE : 97.4 * 84.7 * 24.5 mm
ORIGIN : Taiwan & China



M203



BODY : Plastic black
CAGE : Steel / ED black
SPINDLE : Boron
BEARING : Ball bearing
SIZE : 110 * 89 * 31 mm
ORIGIN : Taiwan & China



R226



BODY : Aluminum / Barrel silver or painted
SPINDLE : Cr-Mo
BEARING: DU / Sealed
CLEAT : 98A or Shimano 51 compatible
SIZE : 81.5 * 84.5 * 29.5 mm
ORIGIN : Taiwan



FEATURES:

- ① Wider stepping surface provide more comfortable riding.
- ② Stronger spring tension construction offers better connection between pedal and shoes which could also increasing the riding efficient.
- ③ The tension indicator with anti-loose design.



B258



BODY : Aluminum Forged
 CNC machined / Anodized
SPINDLE : Cr-Mo
BEARING: DU / Sealed
SIZE : 114.5 * 99 * 10 mm
ORIGIN : Taiwan



B263



BODY : Aluminum 6061 extruded
 CNC machined / Anodized
SPINDLE : Cr-Mo
BEARING: DU / Sealed
SIZE : 112 * 101.5 * 20 mm
OPTION : B263V  B263C  B263R 
ORIGIN : Taiwan



M177B



BODY : Aluminum / ED black or painted
Magnesium / Painted

SPINDLE : Ti or Cr-Mo

BEARING : DU / Sealed

CLEAT : 98A or Shimano 51 compatible

SIZE : 84 * 64.5 * 34 mm

OPTION : Ball bearing version as M177

ORIGIN : Taiwan



FEATURES:

- ① MTB Dual-Sided Clipless innovative element: extended stepping width design to improve the riding comfortable, the low profile design makes the pedal even lighter and attractive... the reinforcement streamline body even more stronger.
- ② With anti-scratch concept and adjustable tension design makes the engaging and disengaging more easy and smooth.
- ③ The tension screw could be adjusted with many stages according to rider's demands and the open indicator could gives the riders to read the adjusting tension stages easily This provide the advantage for the safety and better function.



M094B



BODY : Aluminum / ED black or painted
Magnesium / Painted

SPINDLE : Cr-Mo

BEARING : DU / Sealed

CLEAT : 98A or Shimano 51 compatible

SIZE : 80.9 * 65.3 * 33.8 mm

OPTION : Ball bearing version as M094

ORIGIN : Taiwan



W-01



BODY : Aluminum / ED black or painted
Magnesium / Painted

SPINDLE : Ti or Cr-Mo

BEARING : DU / Sealed

CLEAT : 98A or Shimano 51 compatible

SIZE : 80.1 * 66 * 30.6 mm

ORIGIN : Taiwan



WAM-M19



BODY : Aluminum / ED black or painted
SPINDLE : Ti or Cr-Mo
BEARING: DU / Sealed
CLEAT : 98A or Shimano 51 compatible
SIZE : 79.8 * 59.8 * 30.1 mm
ORIGIN : Taiwan



WAM-M717



BODY : Cr-Mo investment Painted
SPINDLE : Ti or Cr-Mo
BEARING: DU / Sealed
CLEAT : 98A or Shimano 51 compatible
SIZE : 83.6 * 57.8 * 29.3 mm
ORIGIN : Taiwan



WPD-801



BODY : Aluminum / ED black or painted
SPINDLE : Ti or Cr-Mo
BEARING: DU / Sealed
CLEAT : 98A or Shimano 51 compatible
SIZE : 82.4 * 66.8 * 32.8 mm
OPTION : Magnesium version as MG-18
ORIGIN : Taiwan



WAM-M18



BODY : Cr-Mo investment
 ED black or painted
SPINDLE : Cr-Mo
BEARING: Ball bearing
CLEAT : 98A or Shimano 51 compatible
SIZE : 78.6 * 61.7 * 31.5 mm
ORIGIN : Taiwan



WPD-823



BODY : Aluminum / ED black or Painted
SPINDLE : Cr-Mo
BEARING: Ball bearing
CLEAT : 98A or Shimano 51 compatible
SIZE : 81.4 * 63 * 34.5 mm
ORIGIN : Taiwan



WAM-M919



BODY : Aluminum / ED black or Painted
SPINDLE : Cr-Mo
BEARING: Ball bearing
CLEAT : 98A or Shimano 51 compatible
SIZE : 83.8 * 58.9 * 35.5 mm
ORIGIN : Taiwan



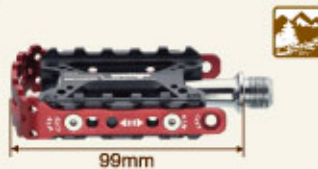
M151 MULTI FUNCTIONAL PEDAL



Patent on length-changing design

BODY : Aluminum 6061 extruded
CNC machined / Anodized
CAGE : Aluminum / Anodized
SPINDLE : Cr-Mo
BEARING : DU / Sealed
SIZE : 107 * 60 * 22 mm
ORIGIN : Taiwan

★ User could change the pedal size to meet their own needs.



M240



BODY : Aluminum 6061 extruded
CNC machined / Anodized
SPINDLE : Cr-Mo
BEARING : DU / Sealed
SIZE : 97 * 60 * 23 mm
OPTION : M240V M240C
ORIGIN : Taiwan



COLOR ETCHED

M194



BODY : Aluminum 6061 extruded
CNC machined / Anodized
SPINDLE : Cr-Mo
BEARING : DU / Sealed
SIZE : 100 * 99.3 * 23 mm
OPTION : M194V M194C
ORIGIN : Taiwan



Patented Pedal M384157
CN201020101444.1

M142



BODY : Aluminum 6061 extruded
CNC machined / Anodized

SPINDLE : Cr-Mo

BEARING : DU / Sealed

SIZE : 100 * 60 * 24.5 mm

OPTION : M142V M142C

ORIGIN : Taiwan



M167



BODY : Aluminum 6061 extruded
CNC machined / Anodized

SPINDLE : Cr-Mo

BEARING : DU / Sealed

SIZE : 97.5 * 62 * 22 mm

ORIGIN : Taiwan



M163



BODY : Aluminum 6061 extruded
CNC machined / Anodized

SPINDLE : Cr-Mo

BEARING : DU / Sealed

SIZE : 100.3 * 62 * 22 mm

ORIGIN : Taiwan



M079



BODY : Aluminum 6061 extruded
CNC machined / Anodized

SPINDLE : Cr-Mo

BEARING : DU / Sealed

SIZE : 100.8 * 60 * 24.4 mm

OPTION : M079V M079C

ORIGIN : Taiwan



M232



BODY : Aluminum / ED black or painted
Magnesium / Painted

SPINDLE : Cr-Mo

BEARING : DU / Sealed

SIZE : 98 * 65 * 20 mm

ORIGIN : Taiwan



M138



BODY : Aluminum / ED black or painted
Magnesium / Painted

SPINDLE : Cr-Mo

BEARING : DU / Sealed

SIZE : 102 * 68 * 29 mm

OPTION : M138V M138C

ORIGIN : Taiwan



Grease hole for easy maintenance.



Built-in reflector make the pedal looks more simple and elegant

M111



BODY : Aluminum forged / Anodized
SPINDLE : Cr-Mo
BEARING : DU / Sealed
SIZE : 99 * 61 * 18 mm
ORIGIN : Taiwan



M-20



BODY : Aluminum / Barrel silver
CAGE : Aluminum or Steel / ED black
SPINDLE : Cr-Mo
BEARING : DU / Sealed
SIZE : 101.1 * 63 * 24 mm
ORIGIN : Taiwan



M-21



BODY : Aluminum / Barrel silver
CAGE : Aluminum or Steel / ED black
SPINDLE : Cr-Mo
BEARING : Ball bearing
SIZE : 100.7 * 63 * 24 mm
OPTION : Available for 2DU version as M-21DU
ORIGIN : Taiwan



M149



BODY : Aluminum / Barrel silver
CAGE : Aluminum or Steel / ED black
SPINDLE : Cr-Mo
BEARING : Ball bearing
SIZE : 97 * 63 * 24 mm
OPTION : Sealed bearing version as M149B
 Available for 2DU version as M149DU
ORIGIN : Taiwan & China



M224G



BODY : Aluminum / ED black with
 CNC machined
SPINDLE : Boron
BEARING : Ball bearing
SIZE : 102.5 * 66 * 25 mm
OPTION : Sealed bearing version as M224GB
 Available for 2DU version as M224GDU
ORIGIN : Taiwan & China



M085DU



BODY : Plastic black
CAGE : Aluminum or Steel / ED black
SPINDLE : Boron
BEARING : 2DU
SIZE : 99 * 63 * 24 mm
OPTION : Ball bearing version as M085
ORIGIN : Taiwan & China



M141DU



BODY : Plastic black
CAGE : Aluminum or Steel / ED black
SPINDLE : Boron
BEARING : 2DU
SIZE : 105.3 * 63 * 24 mm
OPTION : Ball bearing version as M141
ORIGIN : Taiwan & China

Mountable with "snap in" toe clip system



M253DU



BODY : Plastic black
CAGE : Aluminum or Steel / ED black
SPINDLE : Boron
BEARING : 2DU
SIZE : 103 * 76.3 * 34.3 mm
ORIGIN : Taiwan & China



M095



BODY : One piece plastic black
SPINDLE : Cr-Mo
BEARING : Ball bearing
SIZE : 103 * 76 * 25.5 mm
ORIGIN : Taiwan & China



M113



BODY : One piece plastic black
SPINDLE : Boron or Cr-Mo
BEARING : Ball bearing
SIZE : 103.5 * 78 * 25.5 mm
ORIGIN : Taiwan & China

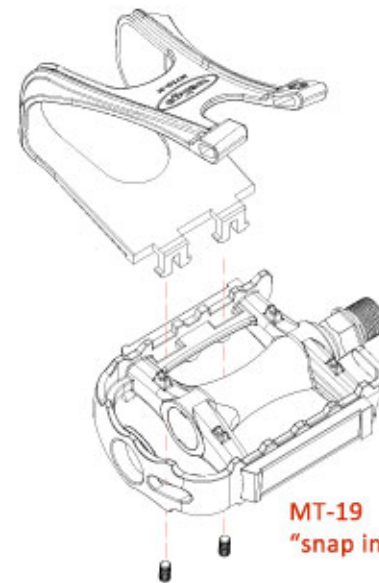
Mountable with "snap in" toe clip system



LU-895DU



BODY : One piece plastic black
SPINDLE : Boron
BEARING : 2DU
SIZE : 105.5 * 86 * 23 mm
ORIGIN : Taiwan & China



MT-19
 "snap in toe clip"



R168



BODY : Engineering plastic
SPINDLE : Cr-Mo or Ti
BEARING : 3 Sealed bearing
CLEAT : RC7A/ B/ C compatible
SIZE : 89.8 * 81 * 32.5 mm
ORIGIN : Taiwan



Tension indicator



Stainless plate "could prevent the scratch from movement".



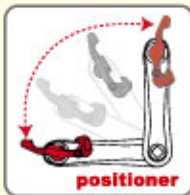
FEATURES:

- * One piece body forming with the stainless plate providing better smoothing and prevent to scratch from movement.
- * Wider and larger step surface makes the step more comfortable.
- * Using the ultra light weight Engineering Plastics for pedal body.
- * Using 3 bearings for better function and easy for replacement and maintenance.
- * With the tension indicator with anti-loose design.

POSI-R168

WELLGO first innovates
Auto Reset Positioner

By using the magnet element, to control the clipless step entry side to the position whatever which angle the user wants to set.



By this positioner, the user could be easily to clip the shoes onto the pedal without looking at the pedal and reduce the injury for missing the engagement.



TBEA
 Taiwan Bicycle Exporters' Association
 2011 TBEA Creative Bicycles, Parts and Accessories Competition Award.



R191B



BODY : Aluminum / Barrel silver with kraton top
SPINDLE : Cr-Mo or Ti
BEARING : DU / Sealed
CLEAT : 98A or Shimano 51 compatible
SIZE : 90 * 87.5 * 32 mm
OPTION : Ball bearing version as R191
ORIGIN : Taiwan



R120B



BODY : Aluminum / Barrel silver or painted
SPINDLE : Cr-Mo
BEARING : DU / Sealed
CLEAT : 98A or Shimano 51 compatible
SIZE : 85 * 84 * 33.5 mm
OPTION : Ball bearing version as R120 with mold pin
 R120BA R120BV R120BC

ORIGIN : Taiwan



WR003



BODY : Aluminum / ED black or painted
SPINDLE : Cr-Mo
BEARING : DU / Sealed
SIZE : 98A or Shimano 51 compatible
OPTION : 82 * 65 * 28 mm
ORIGIN : Taiwan



W41



BODY : Cr-Mo investment
 ED black or painted
SPINDLE : Cr-Mo
BEARING : Ball bearing
CLEAT : 98A or Shimano 51 compatible
SIZE : 78.6 * 54.2 * 24.3 mm
ORIGIN : Taiwan



MG-8



BODY : Magnesium / Painted
SPINDLE : Cr-Mo or Ti
BEARING : DU / Sealed
CLEAT : 98A or Shimano 51 compatible
SIZE : 79.8 * 64.8 * 27.8 mm
ORIGIN : Taiwan



R096B



BODY : Aluminum / ED black or painted
 Magnesium / Painted
SPINDLE : Cr-Mo or Ti
BEARING : Needle / Sealed
CLEAT : RC7A/ B/ C compatible
SIZE : 81 * 87 * 33 mm
OPTION : Ball bearing version as R096
ORIGIN : Taiwan



W40B



BODY : Aluminum / ED black or painted
SPINDLE : Cr-Mo
BEARING : DU / Sealed
CLEAT : RC-5 / RC-6
 LOOK "ARC" compatible
SIZE : 85 * 92 * 33 mm
OPTION : Ball bearing version as W40
ORIGIN : Taiwan



MG-9



BODY : Magnesium / Painted
SPINDLE : Cr-Mo or Ti
BEARING : DU / Sealed
CLEAT : RC-5 / RC-6,
 LOOK "ARC" compatible
SIZE : 85.2 * 95.8 * 34.2 mm
ORIGIN : Taiwan



W-44B



BODY : Aluminum / ED black or painted
Magnesium / Painted color

SPINDLE : Cr-Mo

BEARING : DU / Sealed

CLEAT : 98A or Shimano 51 compatible

SIZE : 82.8 * 76 * 46.8 mm

OPTION : Ball bearing version as W44

ORIGIN : Taiwan



W-43



BODY : Aluminum / Barrel silver or painted

SPINDLE : Cr-Mo

BEARING : Ball bearing

CLEAT : 98A or Shimano 51 compatible

SIZE : 90 * 100 * 32.5 mm

ORIGIN : Taiwan



R146



BODY : Aluminum / ED black or painted
Magnesium / Painted color

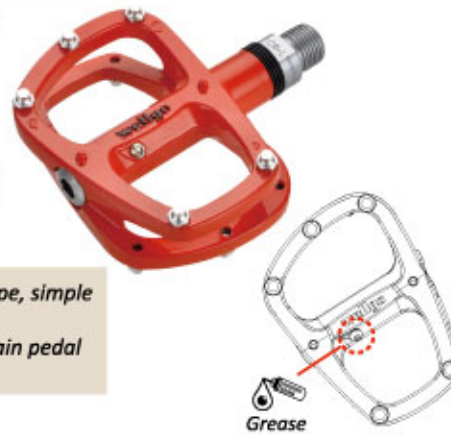
SPINDLE : Cr-Mo

BEARING : DU / Sealed

SIZE : 85 * 86 * 32 mm

OPTION : R146A R146V R146C

ORIGIN : Taiwan



- Dual-sided with patent bending platform shape, simple elegant and lightweight design.
- Grease hole design to provide users to maintain pedal easily and keep the best condition.

R074



BODY : Aluminum 6061 extruded
CNC machined / Anodized

SPINDLE : Cr-Mo

BEARING : DU / Sealed

SIZE : 91.5 * 60 * 21.6 mm

ORIGIN : Taiwan



LU-C16



BODY : Aluminum 6061 extruded
CNC machined / Anodized

SPINDLE : Cr-Mo or Ti

BEARING : DU / Sealed

SIZE : 92.9 * 61.5 * 22 mm

ORIGIN : Taiwan



R200



BODY : Aluminum / Barrel silver

CAGE : Aluminum or Steel / ED black

SPINDLE : Cr-Mo

BEARING : Ball bearing

SIZE : 99 * 63.2 * 22 mm

OPTION : Sealed bearing version as R200B
Available for 2DU version as R200DU

ORIGIN : Taiwan & China



R110B



BODY : Aluminum / Barrel silver
CAGE : Aluminum / ED black
SPINDLE : Cr-Mo
BEARING : DU / Sealed
SIZE : 88 * 68.6 * 29 mm
OPTION : Ball bearing version as R110
ORIGIN : Taiwan



R126



BODY : Aluminum / Barrel silver
CAGE : Aluminum or Steel / ED black
SPINDLE : Cr-Mo
BEARING : Ball bearing
SIZE : 104.6 * 63 * 24 mm
OPTION : Sealed bearing version as R126B
 Available for 2DU version as R126DU
ORIGIN : Taiwan & China



R183



BODY : Aluminum / Barrel silver
SPINDLE : Cr-Mo
BEARING : Ball bearing
SIZE : 107 * 63.5 * 30 mm
OPTION : Sealed bearing version as R183B
ORIGIN : Taiwan



R199



BODY : Plastic black
CAGE : Aluminum or Steel / ED black
SPINDLE : Cr-Mo
BEARING : Ball bearing
SIZE : 99 * 63.2 * 22 mm
OPTION : Available for 2DU version as R199DU
ORIGIN : Taiwan & China



R125



BODY : Plastic black
CAGE : Aluminum or Steel / ED black
SPINDLE : Cr-Mo
BEARING : Ball bearing
SIZE : 104.6 * 63.2 * 24 mm
OPTION : Available for 2DU version as R125DU
ORIGIN : Taiwan & China



R090



BODY : One piece plastic black
SPINDLE : Cr-Mo
BEARING : Ball bearing
SIZE : 99 * 79.8 * 24 mm
ORIGIN : Taiwan

Mountable with "snap in" toe clip system



R025B



BODY : Aluminum / Barrel silver
CAGE : Aluminum / ED black
SPINDLE : Cr-Mo
BEARING : DU / Sealed
SIZE : 90.1 * 64.8 * 27.7 mm
OPTION : ball bearing version as R025
ORIGIN : Taiwan

* Mountable with steel toe clip and strap.
 Leather strap available in black, brown and white.

* 2 pieces cut cage design offers premium ground clearance.



W-5 Single leather strap



White

Brown

Black

W-6 Double leather strap



White

Brown

Black

R104B



BODY : Aluminum / Barrel silver
CAGE : Aluminum / ED black
SPINDLE : Cr-Mo
BEARING : DU / Sealed
SIZE : 104 * 65.6 * 30.8 mm
OPTION : ball bearing version as R104
ORIGIN : Taiwan

* One piece aluminum Classic cage shape, fashion but also elegant, mountable with steel toe clip and leather strap.



MT-16

Steel toe-clip with CP finished.
 Size: M / L / XL



MT-20

Steel toe-clip with CP finished.
 Size: M / L



MT-21

Steel toe-clip with CP finished.
 Size: M / L



OTHER OPTIONS



Brown

Black

Blue

Purple

Red

Yellow

Green

Pewter

Tangerine

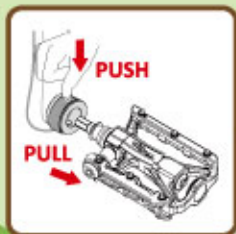
QRDII-C231B LOCKING PEDAL



BODY : Aluminum / ED black or painted
Magnesium / Painted
SPINDLE : Cr-Mo
BEARING : DU / Sealed
SIZE : 102 * 100 * 26 mm
ORIGIN : Taiwan



To solve the noising sound while riding on bumpy road and the inconvenience for carry the locker outdoor, wellgo new patented pedal has been connected the pedal and the locker, it offers the rider to easily remove the pedal and put it onto the spoke as a locker, and this concept design is all compatible to all bike.



The pedal could be locking at front or rear spoke as a locker



Quick Release Device

C176B



BODY : Aluminum / Barrel silver or ED black
CAGE : Aluminum / ED black or anodized
SPINDLE : Cr-Mo
BEARING : DU / Sealed
CLEAT : 98A or Shimano 51 compatible
SIZE : 104 * 63.2 * 28 mm
OPTION : Ball bearing version as C176
ORIGIN : Taiwan



FEATURES:

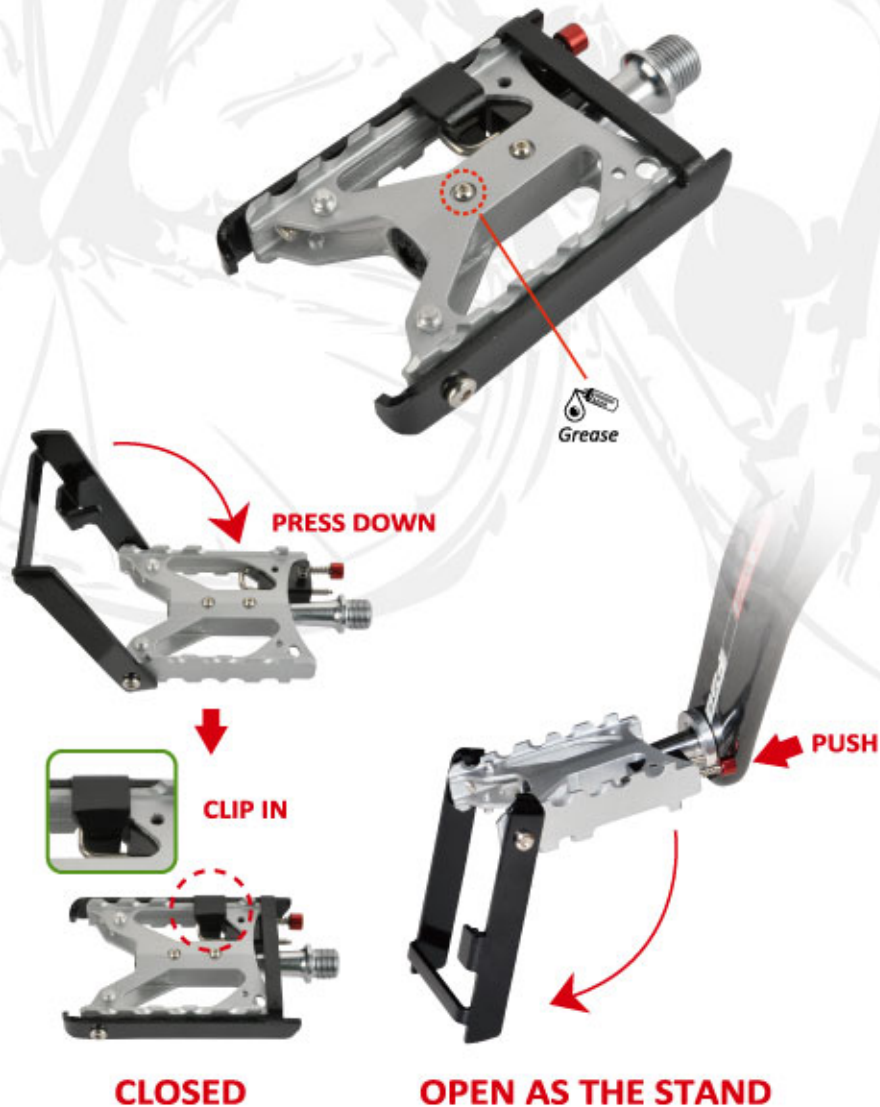
Trekking single-sided clipless innovative element: The waving linear design on the body makes the design more vitality and out of the conventional concept, the extended stepping width surface also improves the riding more comfortable.

The tension screw could be adjusted with many stages asper rider's demands and the indicator design gives the riders awareness the adjusting stages. In addition, the outer cage design also provides better traction while riding.

C238



BODY : Aluminum 6061 extruded
CNC machined / Anodized
CAGE : Aluminum / Anodized
SPINDLE : Cr-Mo
BEARING : DU / Sealed
SIZE : 110 * 67.2 * 23 mm
OPTION : C238V C238C
ORIGIN : Taiwan



C002B



BODY : Aluminum / Barrel silver
CAGE : Aluminum / ED black or anodized
SPINDLE : Cr-Mo
BEARING : DU / Sealed
CLEAT : 98A or Shimano 51 compatible
SIZE : 101.7 * 65.4 * 29.8 mm
OPTION : Ball bearing version as C002
ORIGIN : Taiwan



WPD-M17C



BODY : Aluminum / Barrel silver
CAGE : Aluminum / ED black or anodized
SPINDLE : Cr-Mo
BEARING : DU / Sealed
CLEAT : 98A or Shimano 51 compatible
SIZE : 100.8 * 65.2 * 27.2 mm
ORIGIN : Taiwan



WPD-95B



BODY : Aluminum / Barrel silver
CAGE : Aluminum / ED black or anodized
SPINDLE : Cr-Mo
BEARING : DU / Sealed
CLEAT : 98A or Shimano 51 compatible
SIZE : 101.7 * 65.4 * 29.8 mm
ORIGIN : Taiwan



C241



BODY : Aluminum 6061 extruded
CNC machined / Anodized

SPINDLE : Cr-Mo

BEARING : DU / Sealed

SIZE : 92.5 * 78 * 24.8 mm

OPTION : C241V C241C

ORIGIN : Taiwan



C165



BODY : Aluminum 6061 extruded
CNC machined / Anodized

SPINDLE : Cr-Mo

BEARING : DU / Sealed

SIZE : 92.5 * 78 * 25 mm

OPTION : C165V C165C

ORIGIN : Taiwan



C161



BODY : Aluminum 6061 extruded
CNC machined / Anodized

SPINDLE : Cr-Mo

BEARING : DU / Sealed

SIZE : 108 * 78 * 26 mm

OPTION : C161V C161C

ORIGIN : Taiwan



C006



BODY : Aluminum 6061 extruded
CNC machined / Anodized

SPINDLE : Cr-Mo

BEARING : DU / Sealed

SIZE : 95 * 61.5 * 22.9 mm

ORIGIN : Taiwan



C236



BODY : Aluminum / ED black or painted
Magnesium / Painted

SPINDLE : Cr-Mo

BEARING : DU / Sealed

SIZE : 92.5 * 78 * 29 mm

OPTION : C236V C236C

ORIGIN : Taiwan



C089B



BODY : Aluminum / Barrel silver

CAGE : Aluminum / ED black

SPINDLE : Cr-Mo

BEARING : DU / Sealed

SIZE : 86.7 * 63.2 * 20 mm

OPTION : Ball bearing version as C089

ORIGIN : Taiwan



LU-C27G



BODY : Aluminum / ED black with CNC machined
SPINDLE : Cr-Mo
BEARING : Ball bearing
SIZE : 101.5 * 63.3 * 23.3 mm
OPTION : Sealed bearing version as LU-C27GB
ORIGIN : Taiwan



C128



BODY : Aluminum / Barrel silver
CAGE : Aluminum or Steel / ED black
SPINDLE : Cr-Mo
BEARING : Ball bearing
SIZE : 106.3 * 63 * 24 mm
OPTION : Sealed bearing version as C128B
 Available for 2DU version as C128DU
ORIGIN : Taiwan & China



C201



BODY : Aluminum / Barrel silver
CAGE : Aluminum or Steel / ED black
SPINDLE : Boron
BEARING : Ball bearing
SIZE : 110 * 80 * 25 mm
OPTION : Sealed bearing version as C201B
ORIGIN : Taiwan & China



C202



BODY : Aluminum / Barrel silver
CAGE : Aluminum or Steel / ED black
SPINDLE : Boron
BEARING : Ball bearing
SIZE : 110 * 80 * 25 mm
OPTION : Sealed bearing version as C202B
ORIGIN : Taiwan & China



C175



BODY : Plastic black
CAGE : Aluminum or Steel / ED black
SPINDLE : Boron
BEARING : Ball bearing
SIZE : 110 * 80 * 25 mm
ORIGIN : Taiwan & China



C174



BODY : Plastic black
CAGE : Aluminum or Steel / ED black
SPINDLE : Boron
BEARING : Ball bearing
SIZE : 110 * 80 * 25 mm
ORIGIN : Taiwan & China



C127



- BODY** : Plastic black
CAGE : Aluminum or steel / ED black
SPINDLE : Cr-Mo
BEARING : Ball bearing
SIZE : 106.3 * 63 * 24 mm
OPTION : 2DU version as C127DU
ORIGIN : Taiwan & China



C220



- BODY** : Aluminum / Barrel silver with
 kraton top
SPINDLE : Cr-Mo
BEARING : Ball bearing
SIZE : 108 * 82 * 28 mm
OPTION : Sealed bearing version as C220B
 2DU version as C220DU
ORIGIN : Taiwan & China



C32B



- BODY** : Aluminum / Barrel silver with
 kraton top
SPINDLE : Cr-Mo
BEARING : DU / Sealed
SIZE : 102.9 * 69.6 * 24.2 mm
OPTION : Ball bearing version as C32
ORIGIN : Taiwan



C098



- BODY** : Aluminum body with plastic
 cage overmolded kraton
SPINDLE : Cr-Mo
BEARING : Ball bearing
SIZE : 103 * 79.5 * 24 mm
OPTION : Sealed bearing version
 as C098B
ORIGIN : Taiwan



C016



- BODY** : Aluminum / Barrel silver with
 kraton top
SPINDLE : Cr-Mo
BEARING : Ball bearing
SIZE : 106 * 91 * 30 mm
OPTION : Sealed bearing version
 as C016B
ORIGIN : Taiwan



C169



- BODY** : Aluminum / Barrel silver
 Aluminum overmolded kraton
SPINDLE : Cr-Mo
BEARING : Ball bearing
SIZE : 105 * 80 * 27 mm
OPTION : Sealed bearing version as C169B
 2DU version as C169DU
ORIGIN : Taiwan & China



C122



BODY : Aluminum / Barrel silver with
kraton top
SPINDLE : Cr-Mo
BEARING : Ball bearing
SIZE : 100 * 83 * 25 mm
OPTION : Sealed bearing version as C122B
ORIGIN : Taiwan



C172DU



BODY : Plastic with kraton top
SPINDLE : Boron
BEARING : 2DU
SIZE : 106.5 * 81 * 24.8 mm
OPTION : Ball bearing version as C172
ORIGIN : Taiwan & China



C097



BODY : Plastic with kraton top
SPINDLE : Cr-Mo
BEARING : Ball bearing
SIZE : 103 * 79.5 * 24 mm
ORIGIN : Taiwan



C160



BODY : Plastic with kraton top
SPINDLE : Cr-Mo
BEARING : Ball bearing
SIZE : 120 x 80 x 27 mm
ORIGIN : Taiwan



C112



BODY : Plastic black
SPINDLE : Cr-Mo
BEARING : Ball bearing
SIZE : 112 * 75 * 27 mm
ORIGIN : Taiwan & China



C246DU



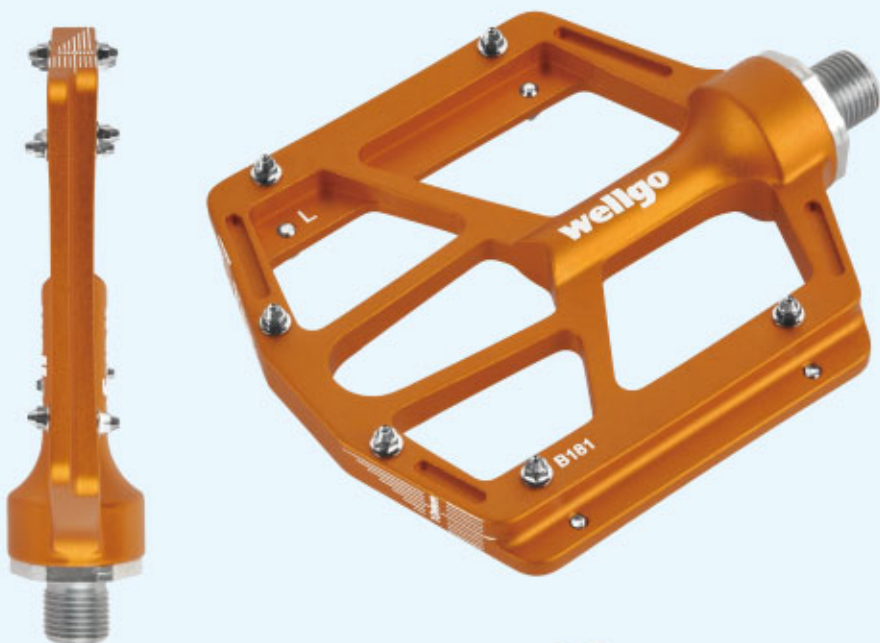
BODY : One piece plastic black
SPINDLE : Boron
BEARING : 2DU
SIZE : 106.3 * 80.9 * 23.8 mm
ORIGIN : Taiwan & China



B181



BODY : Aluminum forged / Anodized
SPINDLE : Cr-Mo
BEARING : DU / Sealed
OPTION : B181R B181V
SIZE : 115 * 102 * 10 mm
ORIGIN : Taiwan



FEATURES:

- * Aluminum forged body with CNC machine.
- * Light and strong, only 326g/pr.
- * Super thin platform design with lower stepping surface to increase the riding efficient.

B242



BODY : Aluminum 6061 extruded
 CNC machined / Anodized
SPINDLE : Cr-Mo
BEARING : DU / Sealed
SIZE : 103.8 * 101.5 * 18.5 mm
OPTION : B242R B242V B242C
ORIGIN : Taiwan



Tri-Anodized

WAM-D10



BODY : Magnesium / Painted color
SPINDLE : Cr-Mo
BEARING : Needle / DU / Sealed
CLEAT : 98A or Shimano 51 compatible
SIZE : 109.1 * 94.7 * 33.8 mm
ORIGIN : Taiwan



W-70



BODY : Aluminum / ED black
 CNC machined
SPINDLE : Cr-Mo
BEARING : DU / Sealed
CLEAT : 98A or Shimano 51 compatible
SIZE : 104 * 89 * 30.1 mm
ORIGIN : Taiwan



B219



BODY : Aluminum 6061 extruded
CNC machined / Anodized
SPINDLE : Cr-Mo
BEARING : DU / Sealed
SIZE : 108.7 * 106.7 * 25 mm
OPTION : B219R B219V B219C



B190



BODY : Aluminum 6061 extruded
CNC machined / Anodized
SPINDLE : Cr-Mo
BEARING : DU / Sealed
SIZE : 102 * 103.8 * 19.8 mm
OPTION : B190V B190C
B190A
ORIGIN : Taiwan



B185



BODY : Aluminum 6061 extruded
CNC machined / Anodized
SPINDLE : Cr-Mo
BEARING : DU / Sealed
SIZE : 111 * 100 * 27 mm
OPTION : B185R B185V
ORIGIN : Taiwan



B184



BODY : Aluminum 6061 extruded
CNC machined / Anodized
SPINDLE : Cr-Mo
BEARING : DU / Sealed
SIZE : 105.5 * 100 * 27 mm
OPTION : B184R B184V
ORIGIN : Taiwan



B164



BODY : Aluminum 6061 extruded
CNC machined / Anodized
SPINDLE : Cr-Mo
BEARING : DU / Sealed
SIZE : 104 * 100 * 26 mm
OPTION : B164V B164C
ORIGIN : Taiwan



B150



BODY : Aluminum 6061 extruded
CNC Machined / Anodized
SPINDLE : Cr-Mo
BEARING : DU / Sealed
SIZE : 104.5 * 100 * 26 mm
OPTION : B150V B150C
ORIGIN : Taiwan



B143



BODY : Aluminum 6061 extruded
CNC machined / Anodized

SPINDLE : Cr-Mo

BEARING : DU / Sealed

SIZE : 107.3 * 100 * 26.1 mm

OPTION : B143V B143C

ORIGIN : Taiwan



B114



BODY : Aluminum 6061 extruded
CNC machined / Anodized

SPINDLE : Cr-Mo

BEARING : DU / Sealed

SIZE : 107.3 * 100 * 25.9 mm

OPTION : B114V B114C

ORIGIN : Taiwan



B117



BODY : Aluminum 6061 extruded
CNC machined / Anodized

SPINDLE : Cr-Mo

BEARING : DU / Sealed

SIZE : 107.4 * 100 * 24.5 mm

OPTION : B117R B117V

B117C

ORIGIN : Taiwan



B124



BODY : Aluminum 6061 extruded
CNC machined / Anodized

SPINDLE : Cr-Mo

BEARING : DU / Sealed

SIZE : 107.3 * 100 * 25.7 mm

OPTION : B124V B124C

ORIGIN : Taiwan



B144



BODY : Aluminum 6061 extruded
CNC machined / Anodized

SPINDLE : Cr-Mo

BEARING : DU / Sealed

SIZE : 104 * 100 * 26.6 mm

OPTION : B144V B144C

ORIGIN : Taiwan



B131



BODY : Aluminum 6061 extruded
CNC machined / Anodized

SPINDLE : Cr-Mo

BEARING : DU / Sealed

SIZE : 104 * 100 * 25.9 mm

OPTION : B131V B131C

ORIGIN : Taiwan



B132



BODY : Aluminum 6061 extruded
CNC machined / Anodized

SPINDLE : Cr-Mo

BEARING : DU / Sealed

SIZE : 103.5 * 100 * 25 mm

OPTION : B132V B132C

ORIGIN : Taiwan



B103



BODY : Aluminum 6061 extruded
CNC machined / Anodized

SPINDLE : Cr-Mo

BEARING : DU / Sealed

SIZE : 107 * 100 * 26.3 mm

OPTION : B103V B103C

ORIGIN : Taiwan



B030



BODY : Aluminum 6061 extruded
CNC machined / Anodized

SPINDLE : Cr-Mo

BEARING : DU / Sealed

SIZE : 109.5 * 100 * 21.9 mm

OPTION : B030R B030V
B030C

ORIGIN : Taiwan



B065



BODY : Aluminum 6061 extruded
CNC machined / Anodized

SPINDLE : Cr-Mo

BEARING : DU / Sealed

SIZE : 104.5 * 100 * 24 mm

OPTION : B065R B065V
B065C

ORIGIN : Taiwan



B245



BODY : Aluminum / ED black or Painted
Magnesium / Painted

SPINDLE : Cr-Mo

BEARING : DU / Sealed

SIZE : 112 * 100 * 29 mm

OPTION : B245R B245V B245C

ORIGIN : Taiwan



B233



BODY : Aluminum / ED black or Painted
Magnesium / Painted

SPINDLE : Cr-Mo

BEARING : DU / Sealed

SIZE : 110.5 * 100 * 26 mm

OPTION : B233R B233V B233C

ORIGIN : Taiwan



MG-1



BODY : Magnesium / Painted
SPINDLE : Cr-Mo
BEARING : DU / Sealed
SIZE : 114.6 * 106.2 * 30.8 mm
OPTION : MG-1R MG-1V
 MG-1C
ORIGIN : Taiwan



B087B



BODY : Aluminum / ED black or painted
 Magnesium / Painted
SPINDLE : Cr-Mo
BEARING : DU / Sealed
SIZE : 109 * 100.5 * 26 mm
OPTION : Ball bearing as B087 with mold pin
 B087U B087R B087V
 B087C
 2DU version as B087DU
ORIGIN : Taiwan & China



LU-A52



BODY : Aluminum / ED black or painted
 Magnesium MG52 / Painted
SPINDLE : Cr-Mo
BEARING : DU / Sealed
SIZE : 109 * 106 * 25 mm
OPTION : Ball bearing version as LU-A52A
ORIGIN : Taiwan



B102B



BODY : Aluminum / ED black or painted
 Magnesium / Painted
SPINDLE : Cr-Mo
BEARING : DU / Sealed
SIZE : 113.5 * 102 * 27.6 mm
OPTION : Ball bearing as B102 with mold pin
 B102U B102R B102V
 B102C
ORIGIN : Taiwan



B155



BODY : Aluminum / ED black or painted
 Magnesium / Painted
SPINDLE : Cr-Mo
BEARING : Ball Bearing
SIZE : 108.5 * 100 * 28 mm
OPTION : Sealed bearing version as B155B
 B155U B155R B155V
 B155C
ORIGIN : Taiwan



B121



BODY : Aluminum / Barrel silver or ED black
 Magnesium / Painted
SPINDLE : Cr-Mo
BEARING : Ball Bearing
SIZE : 112 * 100 * 30.5 mm
OPTION : Sealed bearing version as B121B
 B121R B121V B121C
ORIGIN : Taiwan



B133



BODY : Aluminum / Barrel silver or ED black
Magnesium / Painted

SPINDLE : Cr-Mo

BEARING : Ball Bearing

SIZE : 105.4 * 90.2 * 28 mm

OPTION : Sealed bearing version as B133B

B133U B133R

B133V B133C

ORIGIN : Taiwan



B123



BODY : One piece plastic black

SPINDLE : Cr-Mo

BEARING : Ball bearing

SIZE : 111 * 98.7 * 26.5 mm

ORIGIN : Taiwan



B223BP



BODY : PC translucent color

SPINDLE : Cr-Mo

BEARING : DU / Sealed

SIZE : 111 * 100 * 27 mm

OPTION : Ball Bearing version as B223P

ORIGIN : Taiwan



186C

B223BN



BODY : Nylon with Fiber

SPINDLE : Cr-Mo

BEARING : DU / Sealed

SIZE : 111 * 100 * 27 mm

OPTION : Ball Bearing version as B223N

ORIGIN : Taiwan



802C

COLOR OPTION



STRAP

W8



Rainbow



Reflective



Black



Camouflage

W12



Black



Yellow



Purple



Grey



Red



Green



Blue



Fuchsia



White



NEW option with water proof cover

B197



BODY : Plastic black
SPINDLE : Cr-Mo
BEARING : Ball bearing
SIZE : 106 * 90 * 31.7 mm
OPTION : Nylon with Fiber as B197N
 PC Translucent color as B197P
ORIGIN : Taiwan & China



B109P



BODY : PC Translucent color
SPINDLE : Cr-Mo
BEARING : Ball bearing
SIZE : 111 * 102.5 * 30 mm
OPTION : Nylon with fiber as B109N
 Plastic as B109
ORIGIN : Taiwan



PC

B152



BODY : Plastic
SPINDLE : Cr-Mo
BEARING : Ball bearing
SIZE : 101 * 90 * 27.5 mm
OPTION : PC translucent body as B152P
 Nylon with fiber as B152N
ORIGIN : Taiwan



PP

B107P



BODY : PC Translucent color
SPINDLE : Cr-Mo
BEARING : Ball bearing
SIZE : 112 * 102.4 * 28.4 mm
ORIGIN : Taiwan



CLEAR

B107N



BODY : Nylon with fiber
SPINDLE : Cr-Mo
BEARING : Ball bearing
SIZE : 112 * 102.4 * 28.4 mm
OPTION : Available with Reflector design
ORIGIN : Taiwan



154C

OPTION : UV material as B107UV



UV PEDAL:

UV material will change color under UV ray or sunlight and without the element it will return back to the original color, the color is changed relies on the UV ray.

WARNING:

1. Prohibited to have the UV pedal to be displayed under the spotlight for long period, which may destroy the UV element and reduce the function.
2. Color-changing function will decrease if the pedal continuous been exposed under the UV light for 336 hours.

E148B



BODY : Aluminum / ED black
SPINDLE : Cr-Mo
BEARING : 3 Sealed
CLEAT : 98A or Shimano 51 compatible
 RC7A / B / C or LOOK "KEO"
 cleat compatible
SIZE : 99 * 87.5 * 43.5 mm
OPTION : Ball bearing version as E148
ORIGIN : Taiwan

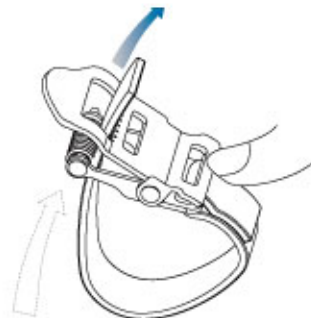


Toe Clip adapter : 0°

1 Push down the buckle



2 Have the strap through the buckle



E179



BODY : Aluminum / Barrel silver
CAGE : Steel / ED black
SPINDLE : Cr-Mo
BEARING : Ball bearing
SIZE : 113 * 62.6 * 30 mm
OPTION : Toe clip & strap mountable
ORIGIN : Taiwan



EX-13



BODY : Plastic black with Pu Strap
SPINDLE : Boron
BEARING : Ball bearing
SIZE : 115.2 * 130.9 * 51 mm
ORIGIN : Taiwan



3 Release the buckle



4 Have the strap go through the upper hole of the buckle to hold the strap



WPD-E003B



- BODY:** Aluminum / ED black
SPINDLE: Cr-Mo
BEARING: 3 Sealed
CLEAT: 98A or Shimano 51 compatible
SIZE: 102.4 * 72.4 * 34.9 mm
OPTION: W/O QBS as E003B
 Ball bearing version as WPD-E003
ORIGIN: Taiwan



E003B



- BODY:** Aluminum / ED black
SPINDLE: Cr-Mo
BEARING: 3 Sealed
CLEAT: 98A or Shimano 51 compatible
SIZE: 102.4 * 72.4 * 34.9 mm
OPTION: W/QBS as WPD-E003B
 Ball bearing version as E003
ORIGIN: Taiwan



WPD-E14B



- BODY:** Aluminum barrel silver
 with kraton top
SPINDLE: Cr-Mo
BEARING: DU / Needle / Sealed
CLEAT: 98A or Shimano 51 compatible
SIZE: 109 * 80.2 * 34.8 mm
OPTION: W/O QBS as E14B
 Ball bearing version as WPD-E14
ORIGIN: Taiwan



E14B



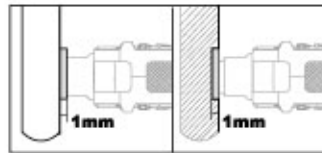
- BODY:** Aluminum barrel silver
 with kraton top
SPINDLE: Cr-Mo
BEARING: DU / Needle / Sealed
CLEAT: 98A or Shimano 51 compatible
SIZE: 109 * 80.2 * 34.8 mm
OPTION: W/QBS as WPD-E14B
 Ball version as E14
ORIGIN: Taiwan



F178



BODY : PC black
CAGE : PC black or translucent color
SPINDLE : Cr-Mo
BEARING : Ball bearing
SIZE : 98 * 72.2 * 26 mm
ORIGIN : Taiwan & China



The washer could offer better contact while install the pedal into crank arm.



F159



BODY : PC black
CAGE : PC black or translucent color
SPINDLE : Cr-Mo
BEARING : Ball bearing
SIZE : 97.5 * 79 * 28 mm
ORIGIN : Taiwan & China



F147



BODY : PC black
CAGE : Aluminum
 ED black or barrel silver
SPINDLE : Cr-Mo
BEARING : Ball bearing
SIZE : 106 * 81 * 30 mm
ORIGIN : Taiwan & China



FP-7



BODY : Aluminum / ED black or barrel silver
CAGE : Aluminum / ED black or barrel silver
SPINDLE : Cr-Mo
BEARING : Ball bearing
SIZE : 100 * 81 * 25.8 mm
ORIGIN : Taiwan & China



TOE CLIP

MT-3

Double support design with instep guard.
MT-3 size L,
MT-4 size S,
MT-5 size M.



MT-6

Large supportive design with instep guard.



MT-7

Mini toe-clip
Size: 82.7 x 53.8mm



RP-1

Classic road racing toe-clip
Size: M / L



MT-10

Strapless toe-clip for technical or casual riding.



MT-11

Large supportive design with instep guard and built-in reflector.
MT-11 size L,
MT-12 size M.



MT-14

Double supportive design with built-in reflector.
MT-13 size M,
MT-14 size L.



MT-19

Size: S / M / L / XL



NYLON TOE-STRAP

W-4

Nylon toe-strap with heavy-duty buckle.



Black

W-2



Black



White



Grey



Green



Blue



Red

SC-1

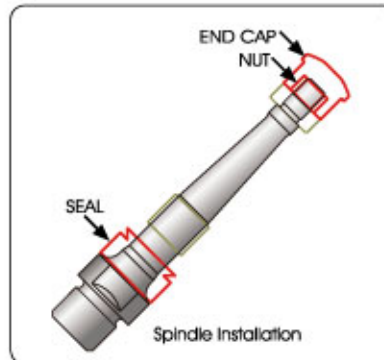
Foot guard to any strap attachable.



SPINDLE

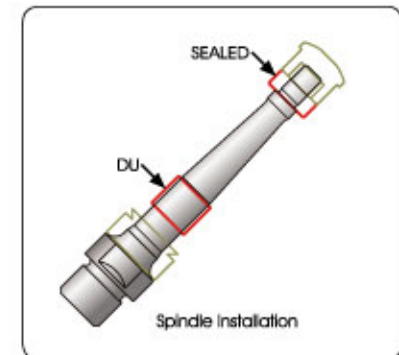
K001

Axle replacement kit.



K004

Bearing replacement kit.



WRENCH



PIN OPTIONS



D1-Pin
28-7 8mm



A-Pin
28-B19 8mm
28-B7 6mm



U-Pin
28-11 11mm
28-12 12mm



D2-Pin
28-2 8mm



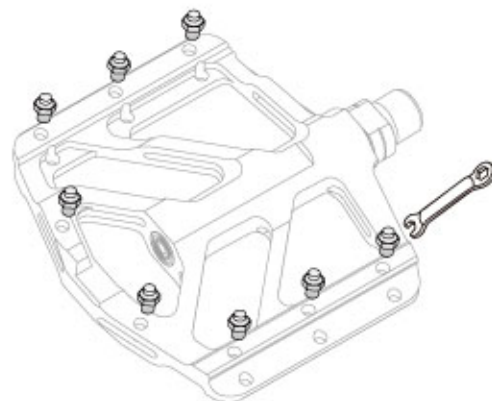
C-Pin
33-C9 9mm



V-Pin
33-V9 9.5mm



R-Pin
33-R9 9.5mm



REFLECTOR

RR1-5



BOLT TYPE

Bolt-on reflector set for
standard MTB pedals.
25 g/pr



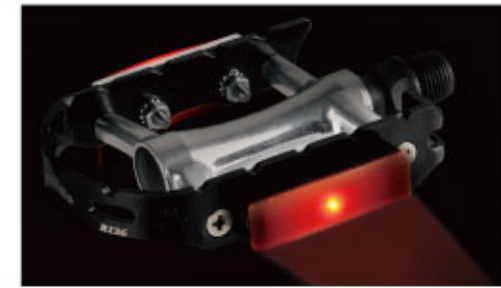
SNAP ON

Snap-on reflector set.



LONG SNAP ON

Extra-long snap-on
reflector set.



How to use 98A Reflector platform



98A-2 (60 g/pr)
Reflector for pedal
715 · 801 · 823 · M19 · M717 · M919 · MG8



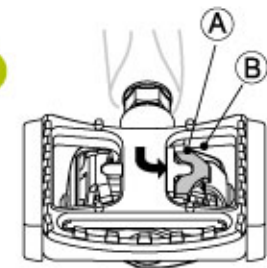
98A-3 (60 g/pr)
Reflector for pedal
M094 · M18 · W01 · XMF3

1



Use a 3 mm hexagonal wrench
to adjust the spring tension to the
weakest position.

2



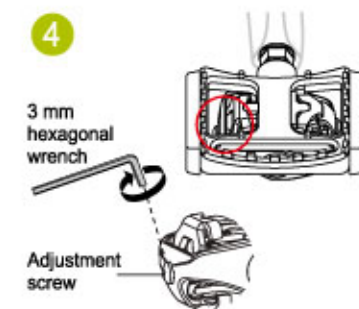
First, insert (A) point of the reflector
platform into the front side of the
pedal claw.

3



Use a straight (flat) screwdriver to
push the claw back for an easier
access to the reflector platform.

4



Once the reflector platforms are
installed to the pedal, please
adjust the spring tension to
fit your need.

CLEAT



98R
Cleat kit
4 degree float
77 g/pr



98A
Cleat kit with improved
mud clearance features.
4 degree float
52 g/pr



RC8
New cleat design for mountain
clipless pedal to be assembled
on LOOK style shoes.
MATERIAL : Cr-Mo
126 g/pr



99A
Cleat kit
4 degree float
49 g/pr



RC-3
Cleat kit for WAM-R2 and R4.
4 degree float
105 g/pr

CLEAT PACKAGE



9°



RC-7A
Cleat kit for R096, R168 & E148
9 degree lateral float
82 g/pr

6°

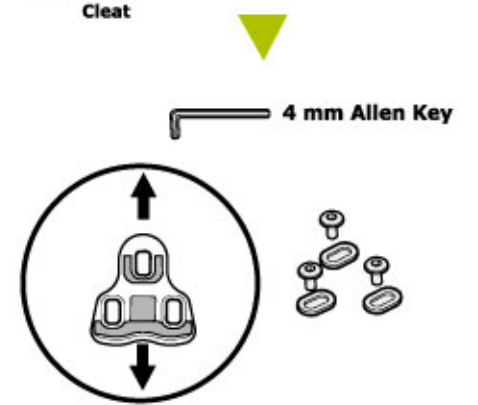


RC-7B
Cleat kit for R096, R168 & E148
6 degree lateral float
82 g/pr

0°



RC-7C
Cleat kit for R096, R168 & E148
0 degree lateral float
82 g/pr



9°

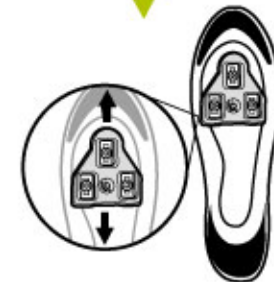
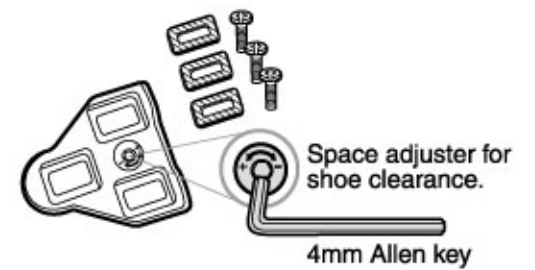


RC-5
Cleat kit for WAM-R1, R3 and MG-9, W40, CR-1.
9 degree lateral float
90 g/pr

0°



RC-6
Cleat kit for WAM-R1, R3 and MG-9, W40, CR-1.
0 degree lateral float
90 g/pr



LU-934



BODY : Aluminum / Barrel silver
CAGE : Aluminum or Steel / ED black
SPINDLE : Boron
BEARING : Ball bearing
SIZE : 102 * 78 * 33.5 mm
ORIGIN : Taiwan & China



LU-964



BODY : Aluminum / Barrel silver
CAGE : Aluminum or Steel / ED black
SPINDLE : Boron
BEARING : Ball bearing
SIZE : 102 * 70 * 32 mm
ORIGIN : Taiwan & China



LU-946



BODY : Aluminum / Barrel silver
CAGE : Aluminum or Steel / ED black
SPINDLE : Boron
BEARING : Ball bearing
SIZE : 100 * 78 * 32 mm
ORIGIN : Taiwan & China



LU-944



BODY : Aluminum / Barrel silver
CAGE : Aluminum or Steel / ED black
SPINDLE : Boron
BEARING : Ball bearing
SIZE : 100 * 74 * 30 mm
ORIGIN : Taiwan & China



LU-C015



BODY : Aluminum / Barrel silver
CAGE : Aluminum or Steel / ED black
SPINDLE : Boron
BEARING : Ball bearing
SIZE : 99 * 63 * 24 mm
ORIGIN : Taiwan & China



LU-C29G



BODY : Aluminum ED black
with CNC machined
SPINDLE : Boron
BEARING : Ball bearing
SIZE : 101.8 * 66.8 * 28 mm
ORIGIN : Taiwan



LU-933



BODY : Plastic black
CAGE : Aluminum or Steel / ED black
SPINDLE : Boron
BEARING : Ball bearing
SIZE : 102 * 75 * 33 mm
ORIGIN : Taiwan & China



LU-C3



BODY : Plastic black
CAGE : Aluminum or Steel / ED black
SPINDLE : Boron
BEARING : Ball bearing
SIZE : 103 * 63 * 28 mm
ORIGIN : Taiwan & China



LU-C4



BODY : Plastic black
CAGE : Aluminum or Steel / ED black
SPINDLE : Boron
BEARING : Ball bearing
SIZE : 109.5 * 62 * 29 mm
ORIGIN : Taiwan & China



LU-C25



BODY : Aluminum / Barrel silver
CAGE : Aluminum or Steel / ED black
SPINDLE : Boron
BEARING : Ball bearing
SIZE : 100 * 74 * 30 mm
ORIGIN : Taiwan & China



LU-948



BODY : Plastic black
CAGE : Aluminum or Steel / ED black
SPINDLE : Boron
BEARING : Ball bearing
SIZE : 98 * 74 * 30 mm
ORIGIN : Taiwan & China



LU-207



BODY : One piece plastic black
SPINDLE : Boron
BEARING : Ball bearing
SIZE : 105.9 * 80.8 * 29.5 mm
ORIGIN : Taiwan & China



LU-975



BODY : Aluminum
Barrel silver with kraton top

SPINDLE : Boron

BEARING : Ball bearing

SIZE : 103 * 71.5 * 31 mm

ORIGIN : Taiwan & China



LU-C33



BODY : Aluminum
Barrel silver with kraton top

SPINDLE : Boron

BEARING : Ball bearing

SIZE : 107 * 70 * 26.5 mm

ORIGIN : Taiwan & China



C157



BODY : Plastic with kraton top

SPINDLE : Boron

BEARING : Ball bearing

SIZE : 99 * 63.3 * 24.5 mm

ORIGIN : Taiwan & China



LU-206



BODY : Plastic with kraton top

SPINDLE : Boron

BEARING : Ball bearing

SIZE : 110 * 84 * 32 mm

ORIGIN : Taiwan & China



LU-T9



BODY : Plastic with kraton top

SPINDLE : Boron

BEARING : Ball bearing

SIZE : 103 * 69.5 * 28 mm

ORIGIN : Taiwan & China



LU-884



BODY : Plastic with kraton top

SPINDLE : Boron

BEARING : Ball bearing

SIZE : 105 * 72 * 32 mm

ORIGIN : Taiwan & China



LU-C35



BODY : Plastic with kraton top
SPINDLE : Boron
BEARING : Ball bearing
SIZE : 105 * 73.5 * 30 mm
ORIGIN : Taiwan & China



LU-941



BODY : Plastic with kraton top
SPINDLE : Boron
BEARING : Ball bearing
SIZE : 103 * 68 * 30 mm
ORIGIN : Taiwan & China



LU-C34



BODY : Plastic with kraton top
SPINDLE : Boron
BEARING : Ball bearing
SIZE : 108.5 * 72 * 28.5 mm
ORIGIN : Taiwan & China



P27



BODY : Plastic with kraton top
SPINDLE : Boron
BEARING : Ball bearing
SIZE : 102 * 83 * 29 mm
ORIGIN : Taiwan & China



LU-P6



BODY : Plastic with kraton top
SPINDLE : Boron
BEARING : Ball bearing
SIZE : 108 * 96 * 32 mm
ORIGIN : Taiwan & China



LU-990



BODY : Plastic with kraton top
SPINDLE : Boron
BEARING : Ball bearing
SIZE : 106.5 * 94 * 33.2 mm
OPTION : 2DU version as LU-990DU
ORIGIN : Taiwan & China



LU-P21



BODY : One piece plastic black
SPINDLE : Boron
BEARING : Ball bearing
SIZE : 90 * 65 * 31 mm
ORIGIN : Taiwan & China



LU-873



BODY : One piece plastic black
SPINDLE : Boron
BEARING : Ball bearing
SIZE : 90 * 65 * 29 mm
OPTION : Ball-less version as LU-873NB
ORIGIN : Taiwan & China



LU-937NB



BODY : One piece plastic black
SPINDLE : Steel
BEARING : Ball-less
SIZE : 95 * 64 * 27 mm
ORIGIN : Taiwan & China



LU-942NB



BODY : One piece plastic black
SPINDLE : Steel
BEARING : Ball-less
SIZE : 90.5 * 61.5 * 26 mm
ORIGIN : Taiwan & China



LU-213NB



BODY : One piece plastic black
SPINDLE : Steel
BEARING : Ball-less
SIZE : 99 * 74 * 30 mm
ORIGIN : Taiwan & China



LU-894



BODY : One piece plastic black
SPINDLE : Boron
BEARING : Ball bearing
SIZE : 108.5 * 68.5 * 26 mm
ORIGIN : Taiwan & China



LU-892DU



BODY : One piece plastic black
SPINDLE : Boron
BEARING : 2DU
SIZE : 99 * 75 * 31 mm
OPTION : Ball bearing version as LU-892
ORIGIN : Taiwan & China



LU-P26



BODY : One piece plastic black
SPINDLE : Boron
BEARING : Ball bearing
SIZE : 111 * 83 * 28 mm
ORIGIN : Taiwan & China



LU-866



BODY : One piece plastic black
SPINDLE : Boron
BEARING : Ball bearing
SIZE : 106 * 71.5 * 36.5 mm
ORIGIN : Taiwan & China



R-11



BODY : Plastic black
CAGE : Aluminum / ED black
SPINDLE : Boron
BEARING : Ball bearing
SIZE : 99 * 63 * 29 mm
ORIGIN : Taiwan & China



R173



BODY : Plastic black
CAGE : Aluminum or Steel / ED black
SPINDLE : Cr-Mo
BEARING : Ball bearing
SIZE : 103.5 * 63 * 23.5 mm
ORIGIN : Taiwan & China



LU-209



BODY : Aluminum / Barrel silver
SPINDLE : Boron
BEARING : Ball bearing
SIZE : 87.2 * 86.4 * 29.8 mm
ORIGIN : Taiwan & China



LU-996



BODY : Aluminum
ED black or painted

SPINDLE : Boron

BEARING : Ball bearing

SIZE : 99 * 92 * 32 mm

OPTION : 2DU version as LU-996DU

ORIGIN : Taiwan & China



LU-204



BODY : Aluminum
ED black or painted

SPINDLE : Boron

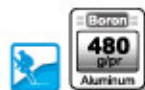
BEARING : Ball bearing

SIZE : 94.2 * 84.2 * 29.8 mm

ORIGIN : Taiwan & China



LU-313



BODY : Aluminum
ED black or painted

SPINDLE : Boron

BEARING : Ball bearing

SIZE : 109.5 * 105 * 30 mm

ORIGIN : Taiwan & China



LU-B81



BODY : Aluminum
ED black or painted

SPINDLE : Boron

BEARING : Ball bearing

SIZE : 109 * 106 * 30 mm

ORIGIN : Taiwan & China



LU-A18



BODY : Aluminum
ED black or painted

SPINDLE : Boron

BEARING : Ball bearing

SIZE : 106 * 104 * 31 mm

ORIGIN : Taiwan & China



B017DU



BODY : Aluminum
ED black or painted

SPINDLE : Boron

BEARING : 2DU

SIZE : 108 * 102 * 28.8 mm

OPTION : Ball bearing version as B017

ORIGIN : Taiwan & China



LU-P17



BODY : One piece plastic black
SPINDLE : Boron
BEARING : Ball bearing
SIZE : 92 * 85.5 * 29.5 mm
ORIGIN : Taiwan & China



LU-968



BODY : One piece plastic black
SPINDLE : Boron
BEARING : Ball bearing
SIZE : 95.5 * 81.5 * 29.5 mm
ORIGIN : Taiwan & China



LU-B78



BODY : One piece plastic black
SPINDLE : Boron
BEARING : Ball bearing
SIZE : 100.5 * 95.5 * 32 mm
ORIGIN : Taiwan & China



LU-984



BODY : One piece plastic black
SPINDLE : Boron
BEARING : Ball bearing
SIZE : 107 * 95.5 * 28 mm
OPTION : 2DU version as LU-984DU
ORIGIN : Taiwan & China



LU-205



BODY : One piece plastic black
SPINDLE : Boron
BEARING : Ball bearing
SIZE : 111.5 * 99 * 31.5 mm
ORIGIN : Taiwan & China



LU-P9



BODY : One piece plastic black
SPINDLE : Boron
BEARING : Ball bearing
SIZE : 108 * 105 * 32.5 mm
ORIGIN : Taiwan & China





WELLGO PEDAL'S CORP.

NO.3, Gong 7th Road, Youth Ind.Park,
Dajia Dist., Taichung City 437,
Taiwan
TEL: 886-4-26816991-5
FAX: 886-4-2681-6988, 2681-6998
HTTP://www.wellgopedal.com
E-MAIL: wd@wellgopedal.com

WELLMAG TECHNOLOGY CO., LTD.

NO.137, Qingnian Rd., Youth Ind.Park,
Dajia Dist., Taichung City 437,
Taiwan
TEL: 886-4-2682-2398-9
FAX: 886-4-2682-1909
E-MAIL: wellmag1@wellmag.com.tw

SHANGHAI FACTORY

NO.103, Yuehd-Ho South Road
Economic & Technical Development Zone,
Kunshan, Jiangsu, China
TEL: 86-512-57701991-4
FAX: 86-512-57701995
HTTP://www.wellgopedal.cn
E-MAIL: wellgo@wellgopedal.cn